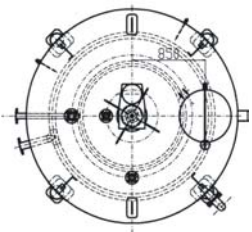
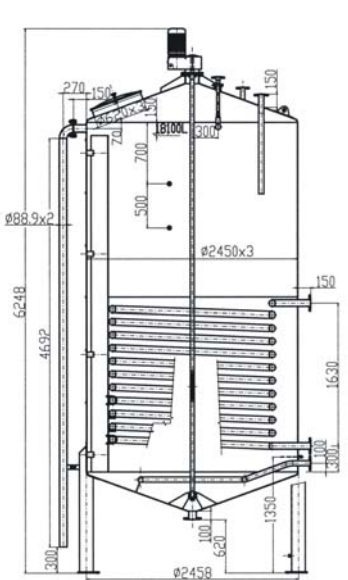
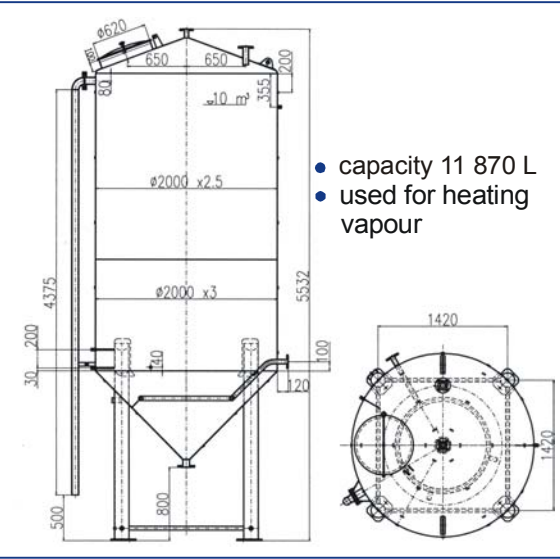
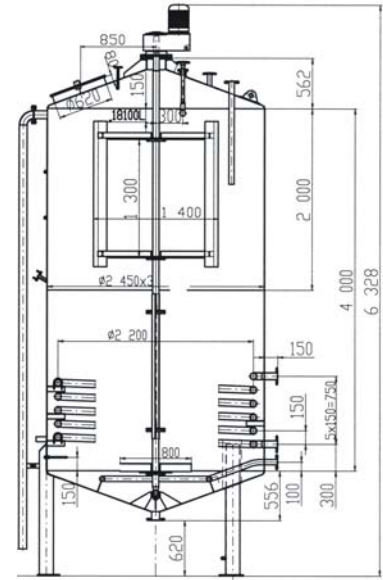


We are offering **STAINLESS VESSELS,**

standing cylindrical, non-pressure, with a manhole in the top
taking ability - **now** - bargain price



- capacity 20 400 L
- pressure heating coil
- heating medium vapour
- agitator vertical propeller
- gearbox NORD drive



- capacity 20 400 L
- pressure cooling coil
- agitator vertical frame
- gearbox NORD drive

